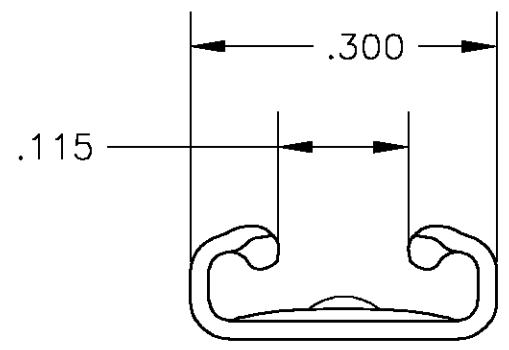
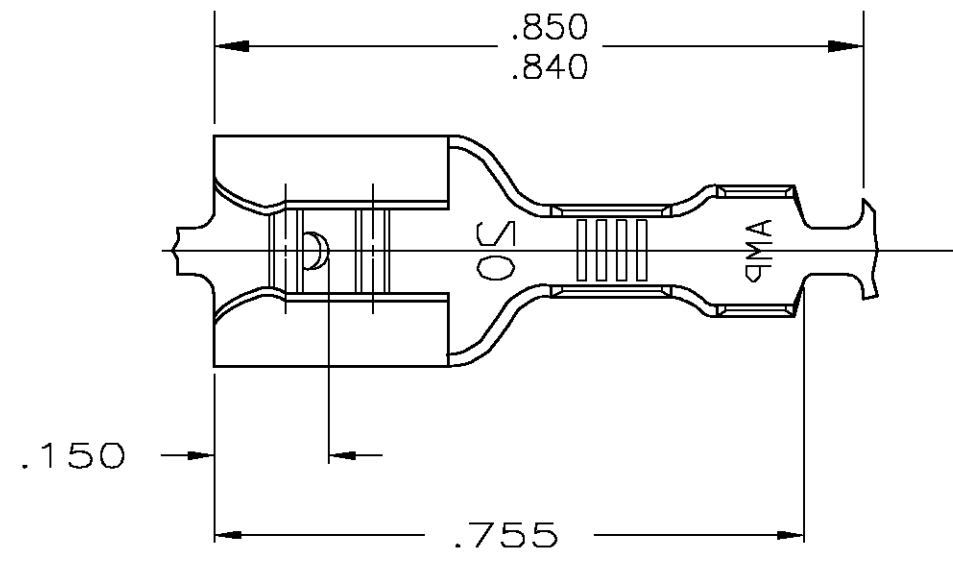


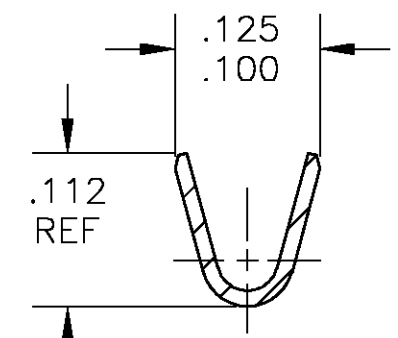
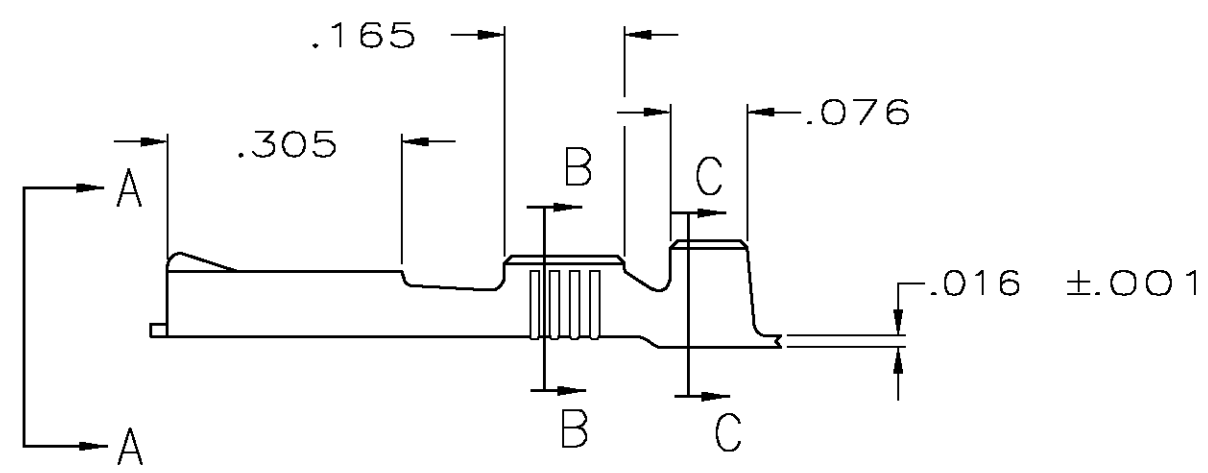
THIS DRAWING IS UNPUBLISHED. RELEASED FOR PUBLICATION  
 © COPYRIGHT BY TYCO ELECTRONICS CORPORATION. ALL RIGHTS RESERVED.

LOC	DIST	REVISIONS					
		P	LTR	DESCRIPTION	DATE	DWN	APVD
AF	50		G	REV PER 0G3A-0690-03	05JAN04	JR	PD

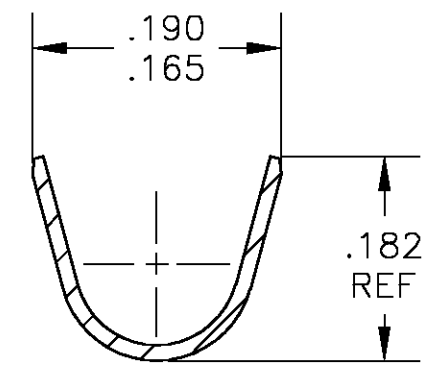
- 1 - CONTINUOUS STRIP ON REELS.
- 2 - WIRE SIZE 22-18 AWG
- 3 - INSULATION RANGE .090-.130 DIA
- 4 - MATING TAB THK IS .032±.001



VIEW A-A



SECTION B-B



SECTION C-C

TIN	42743-2
—	42743-1
FINISH	PART NO

THIS DRAWING IS A CONTROLLED DOCUMENT.		DWN	JR RUTH	5-14-86	Tyco Electronics Corporation City, State, Zip
DIMENSIONS: INCHES		CHK	G YETTER	5-16-86	
		APVD	C MEYERS	5-16-86	
TOLERANCES UNLESS OTHERWISE SPECIFIED: 0 PLC ± - 1 PLC ± - 2 PLC ± - 3 PLC ± .015 4 PLC ± - ANGLES ± -		PRODUCT SPEC	NAME		
MATERIAL		APPLICATION SPEC	SIZE		RESTRICTED TO
4M BRASS		FINISH	114-2036		
SEE ABOVE		WEIGHT	CUSTOMER DRAWING		SCALE
					4:1
					SHEET
					1 OF 1
					REV
					G